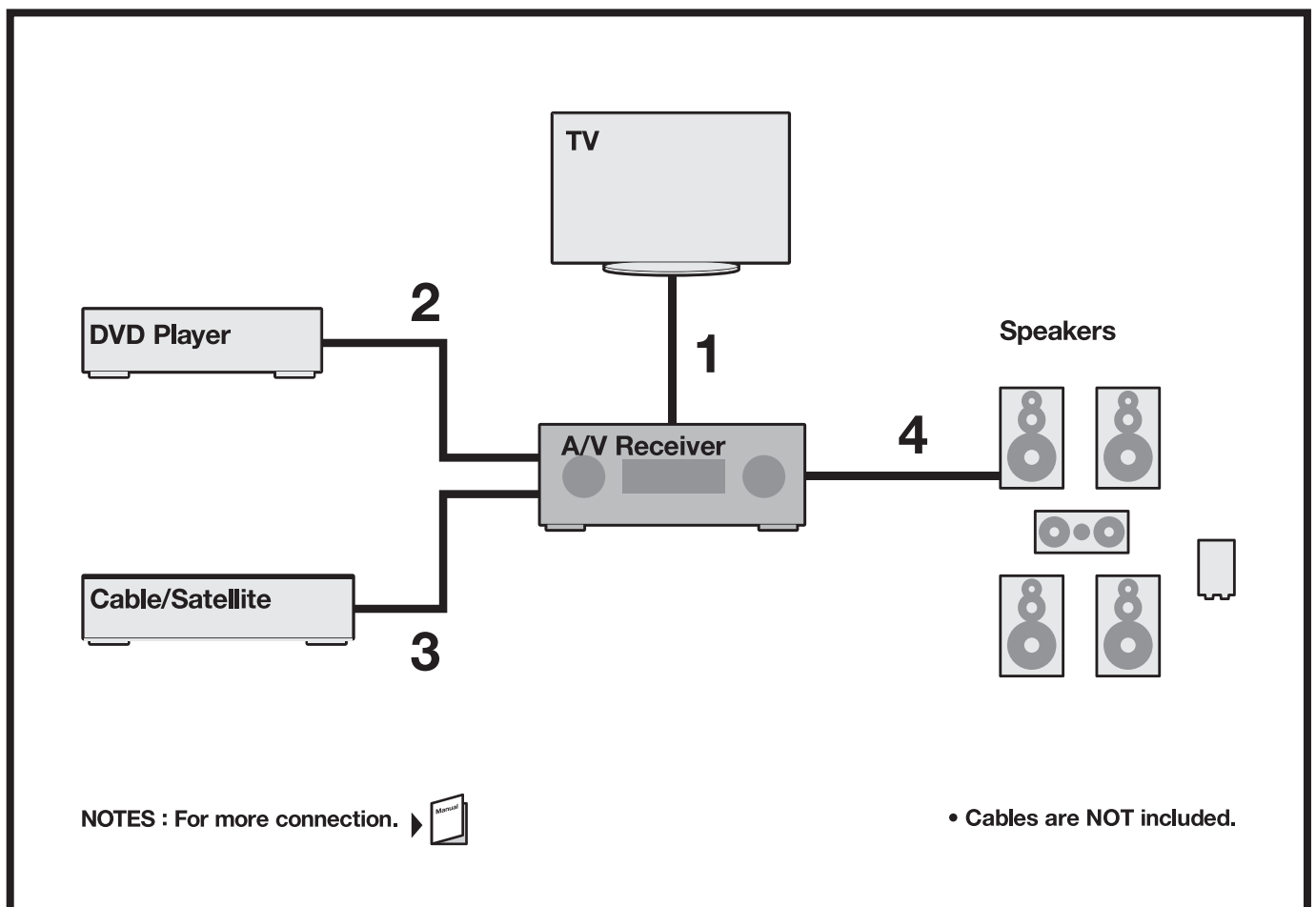
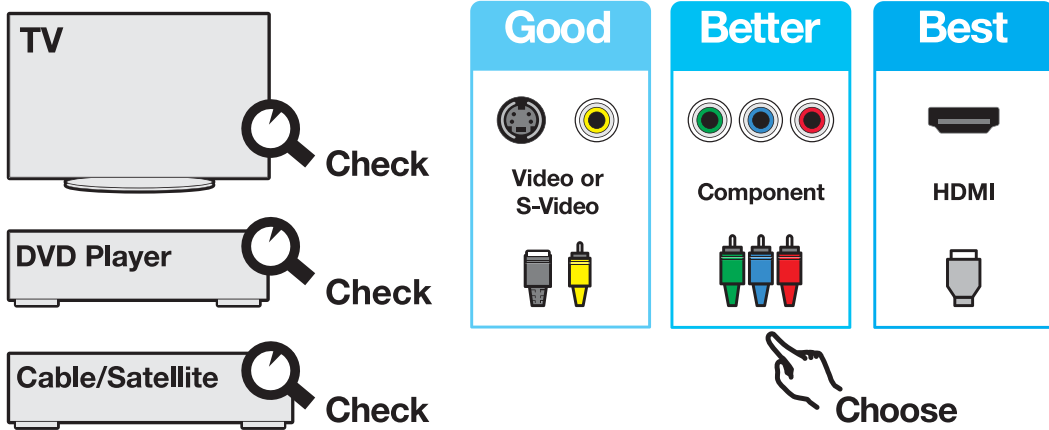


Getting Started

AVR-688

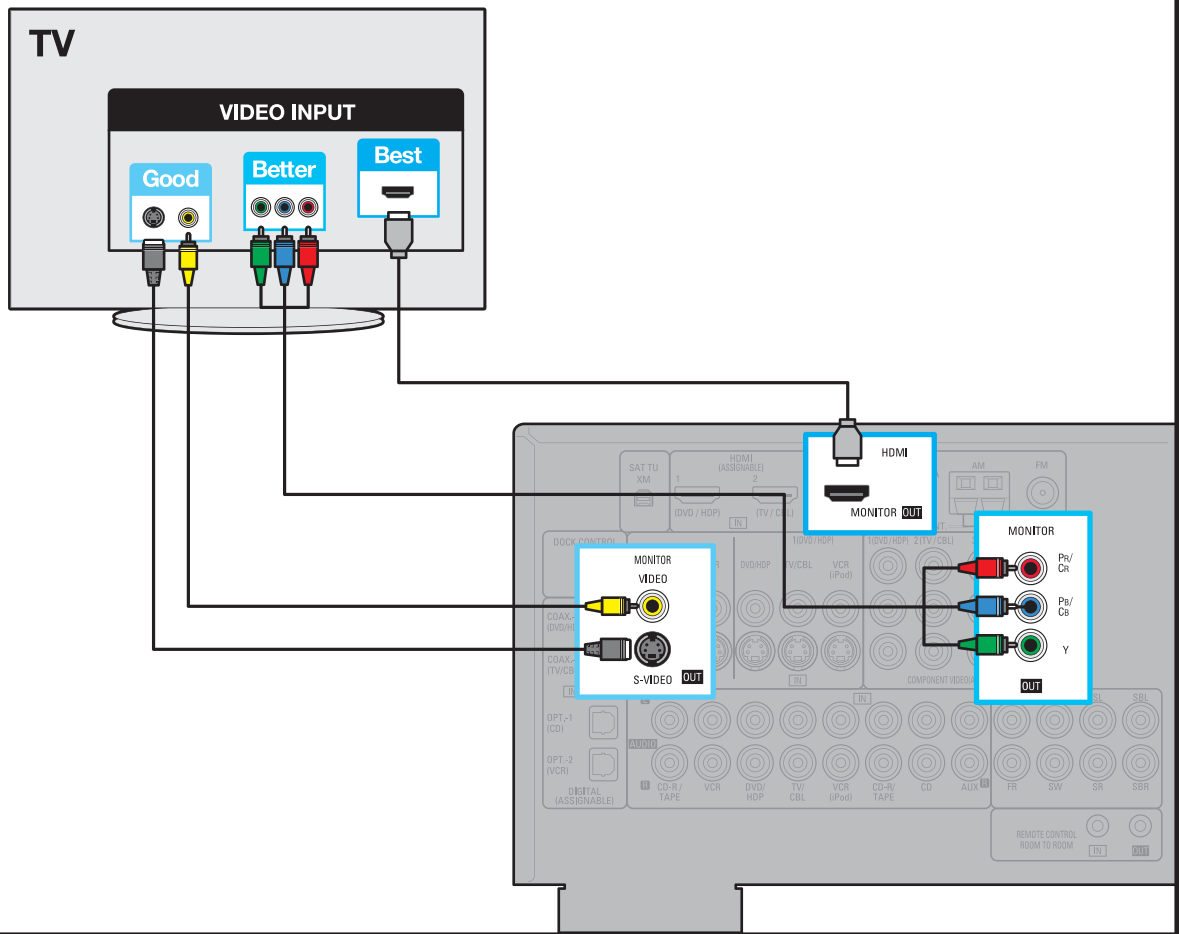


Check & choose your VIDEO connection.

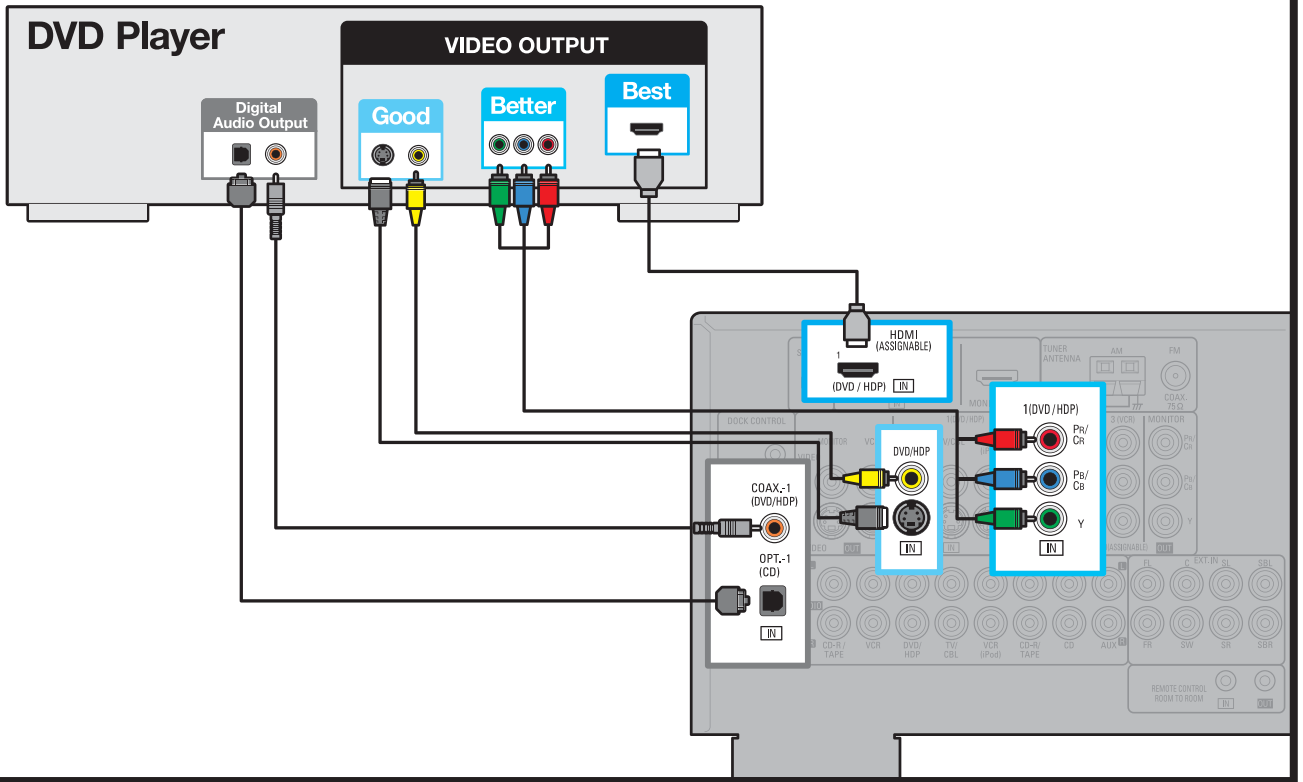


• Follow 2-3 according to your choice of connection. (Read Instruction Manual of your TV set.)

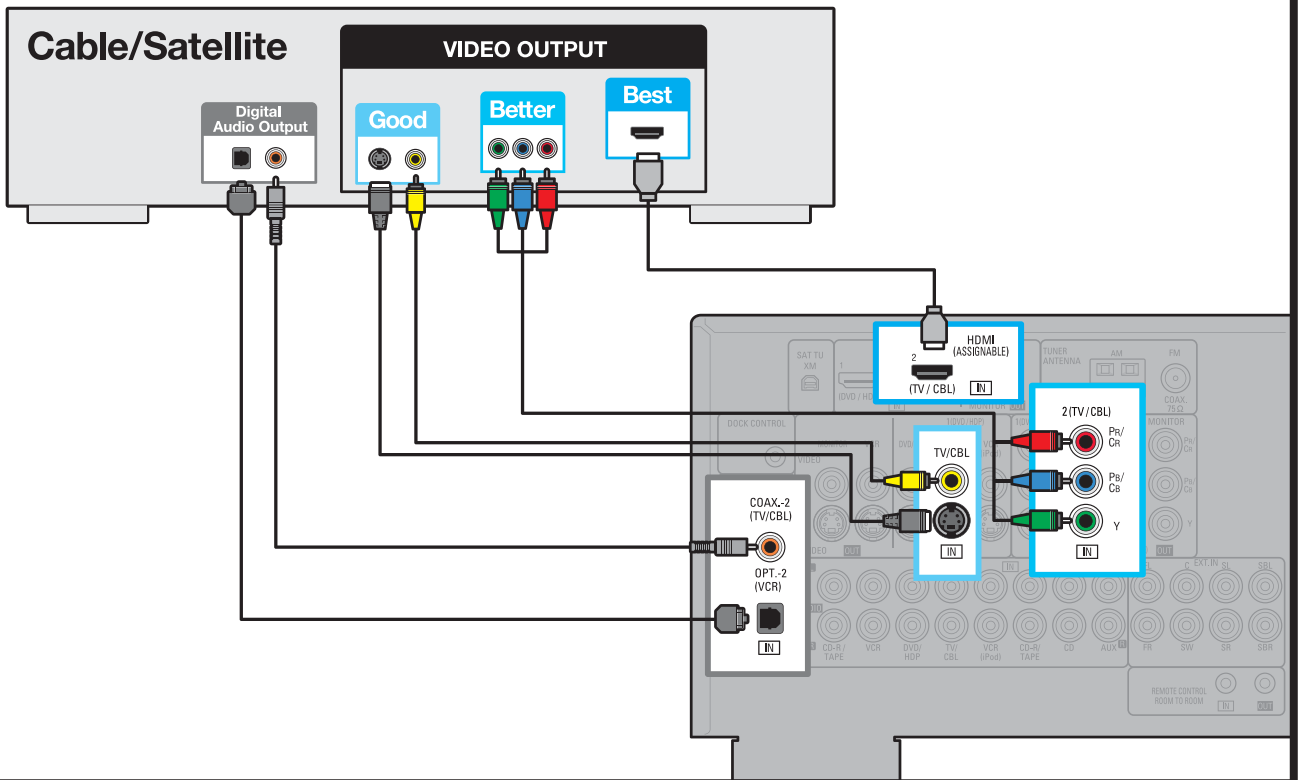
1



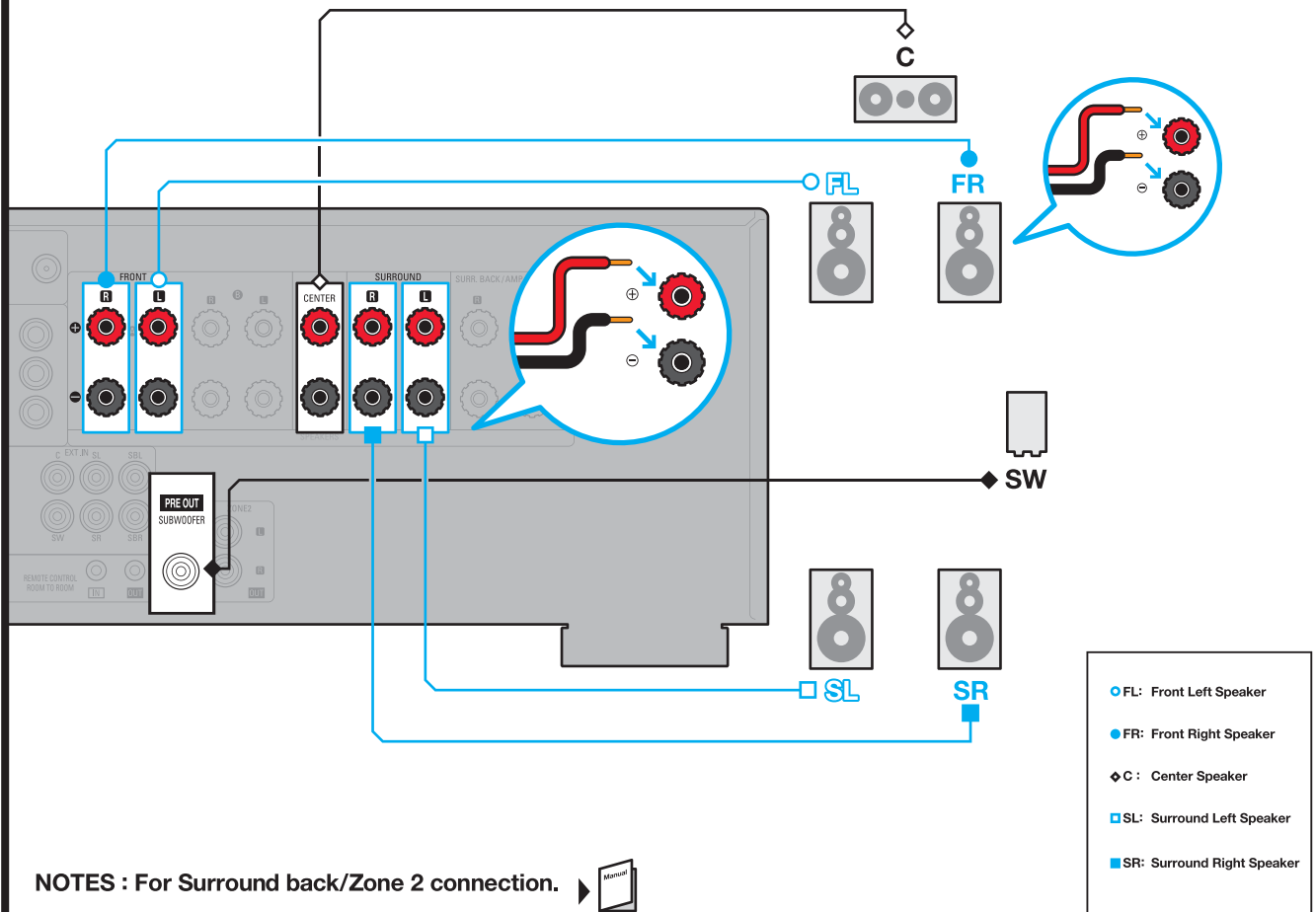
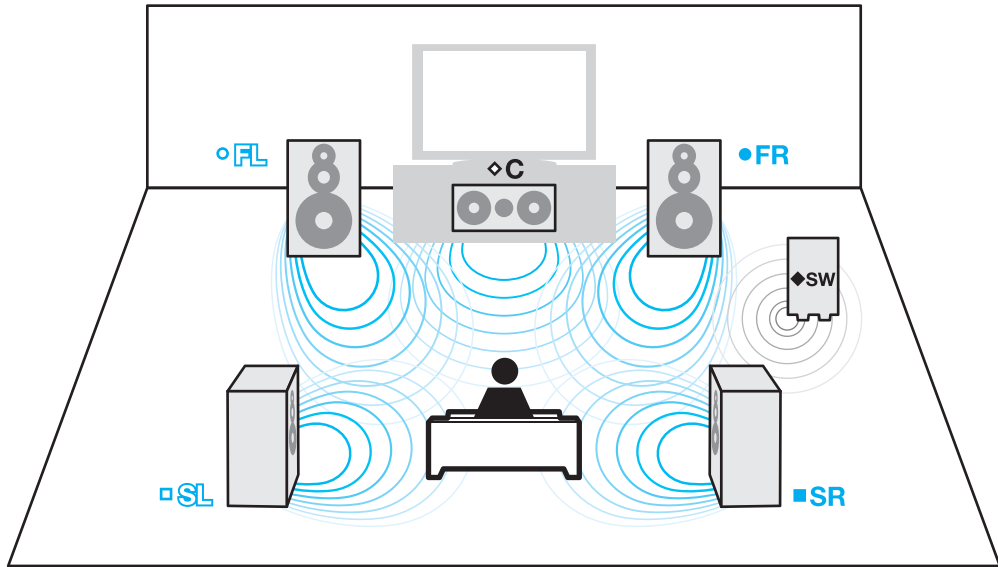
2



3



4



Need more information? ▶