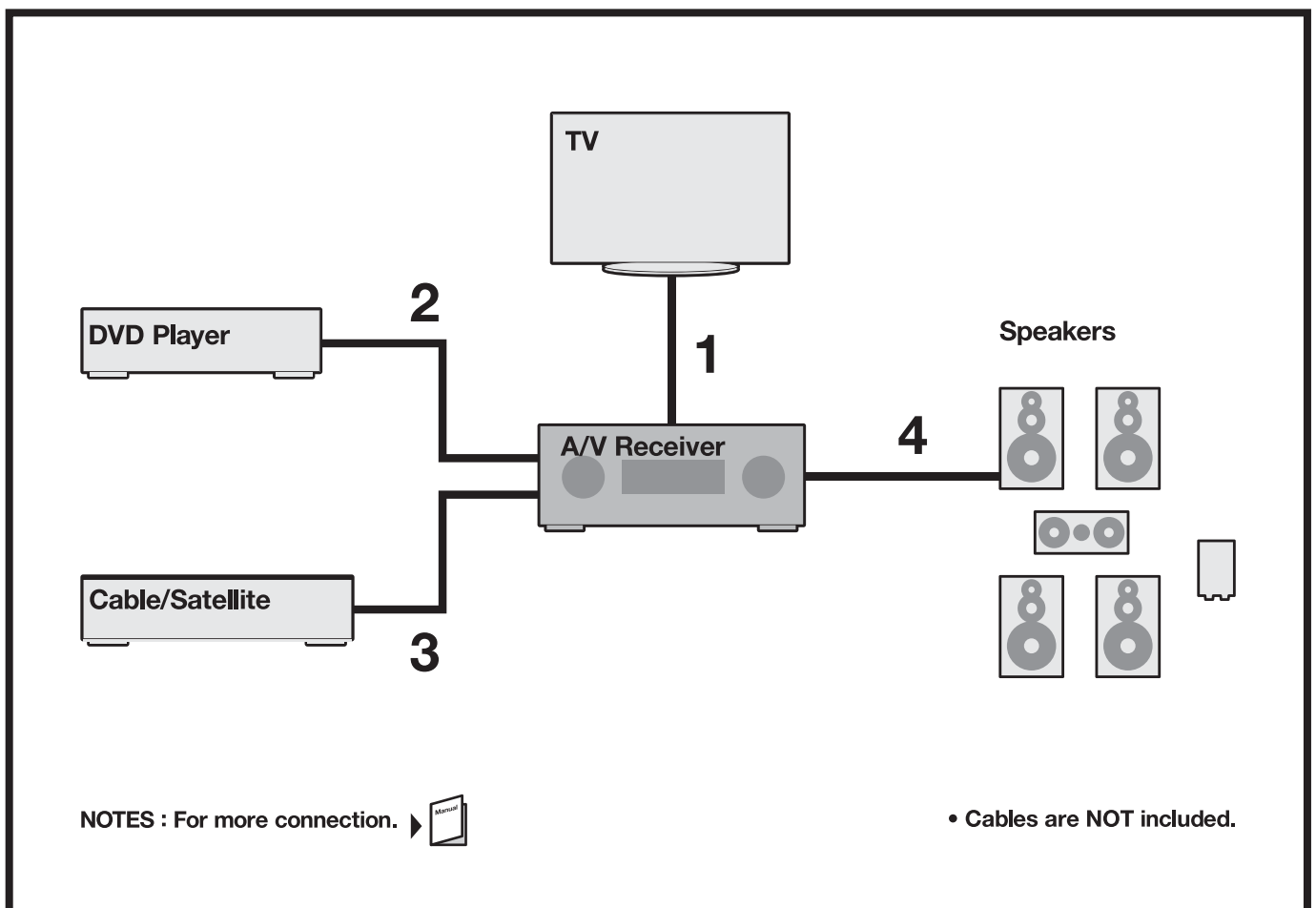
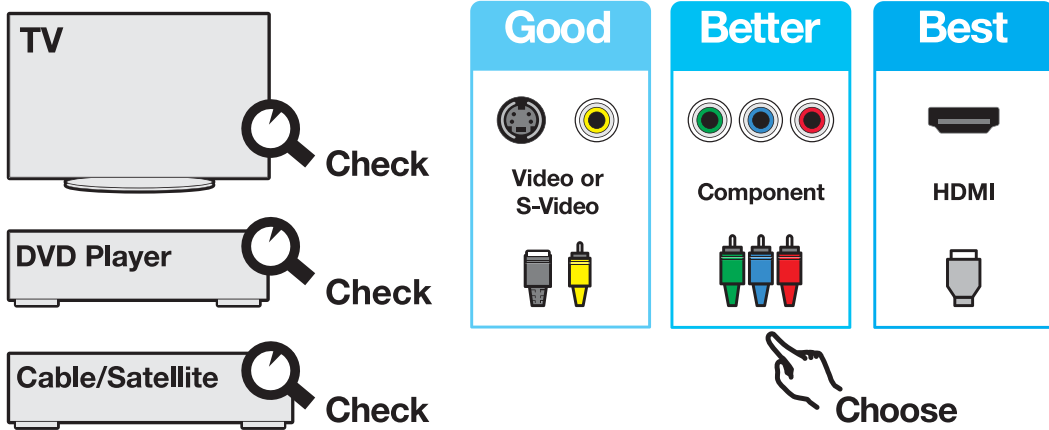


## Getting Started

AVR-588

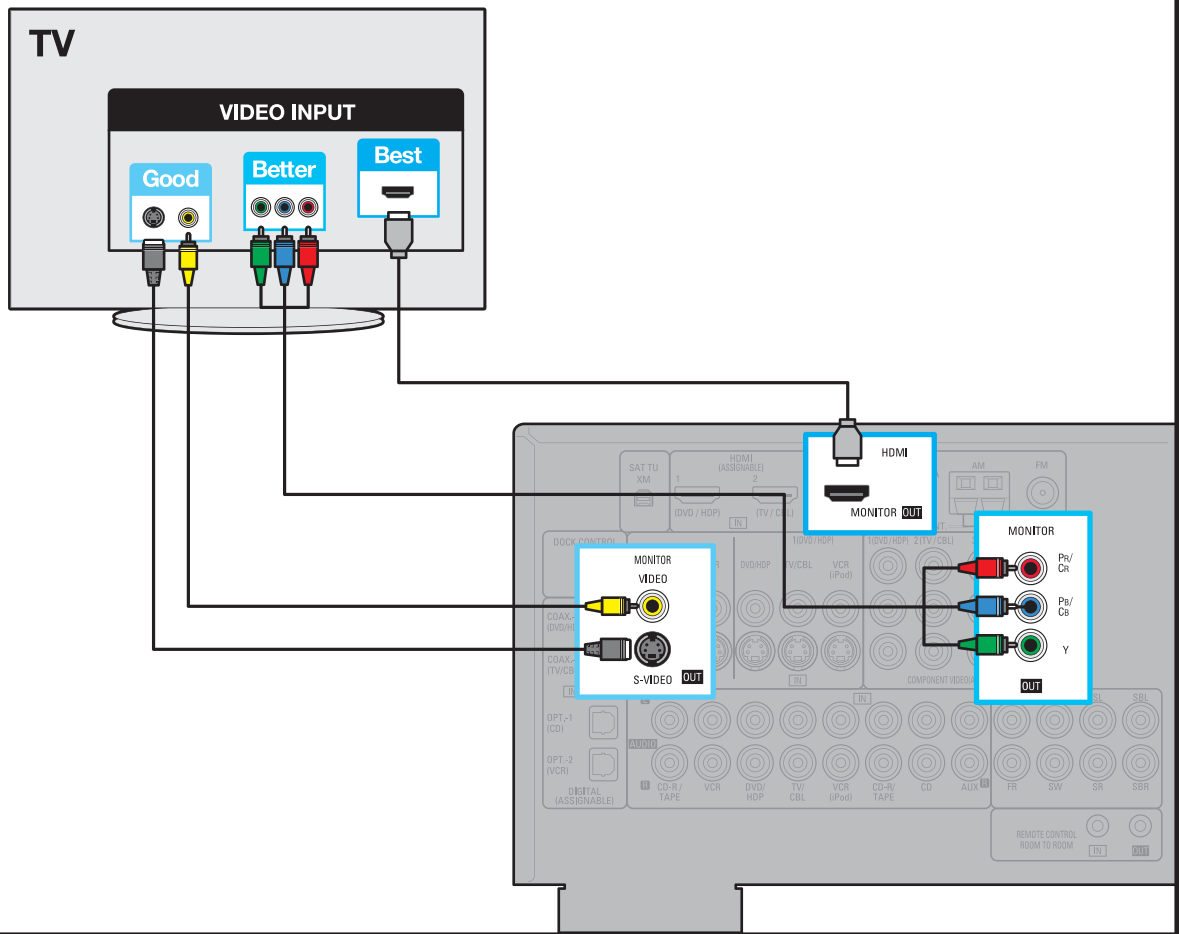


# Check & choose your VIDEO connection.

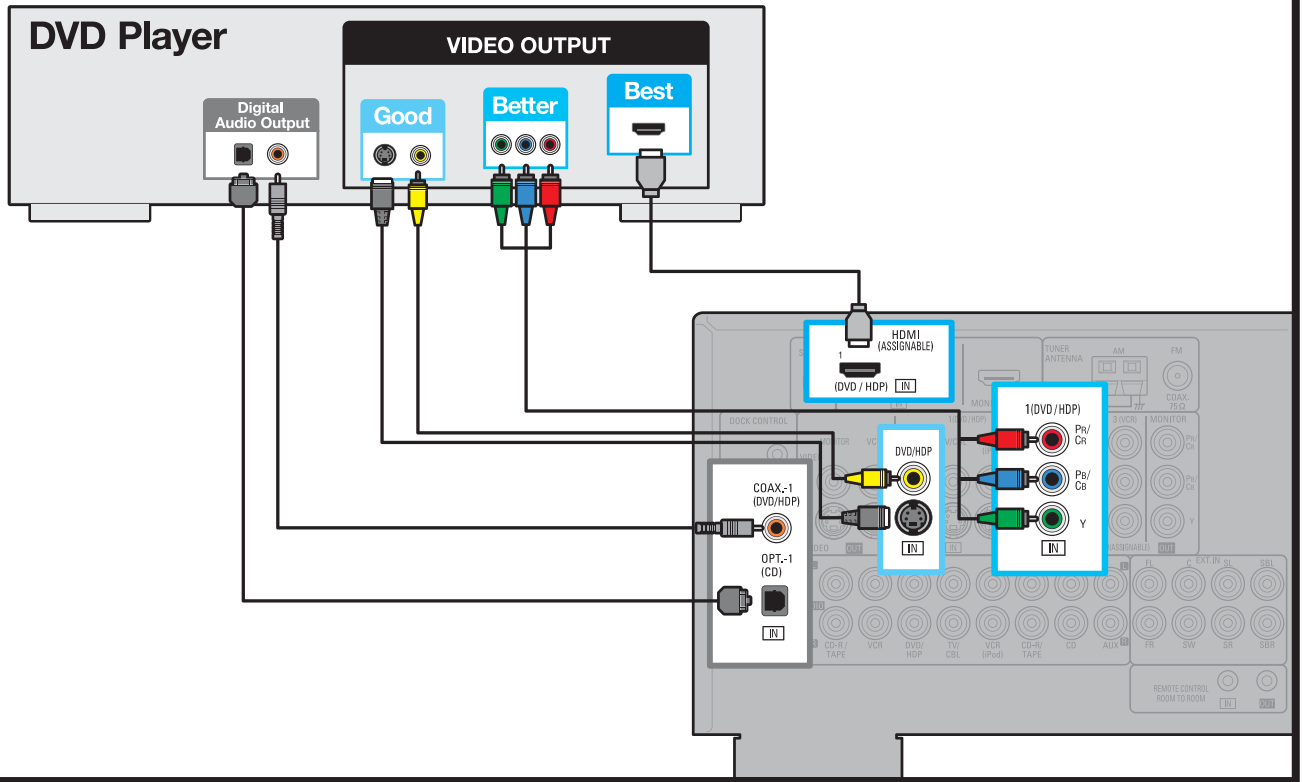


• Follow 2-3 according to your choice of connection. (Read Instruction Manual of your TV set.)

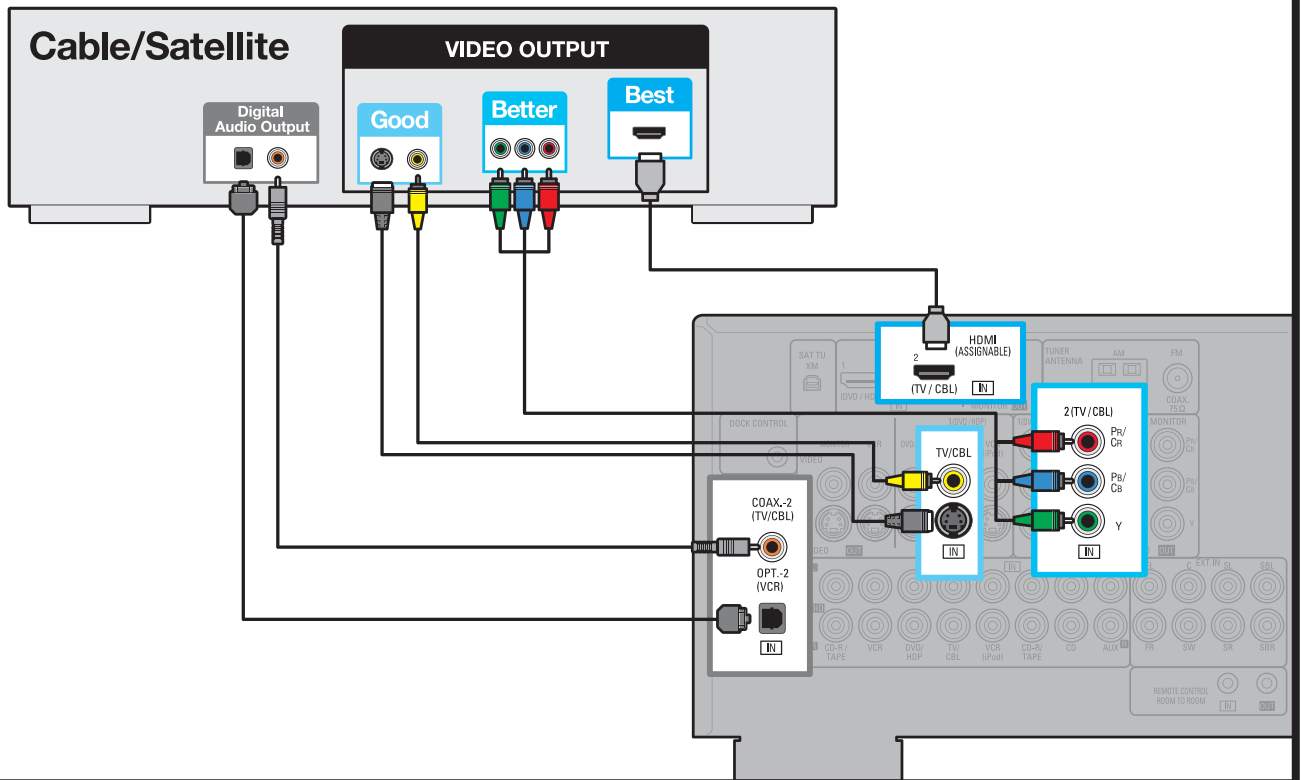
1



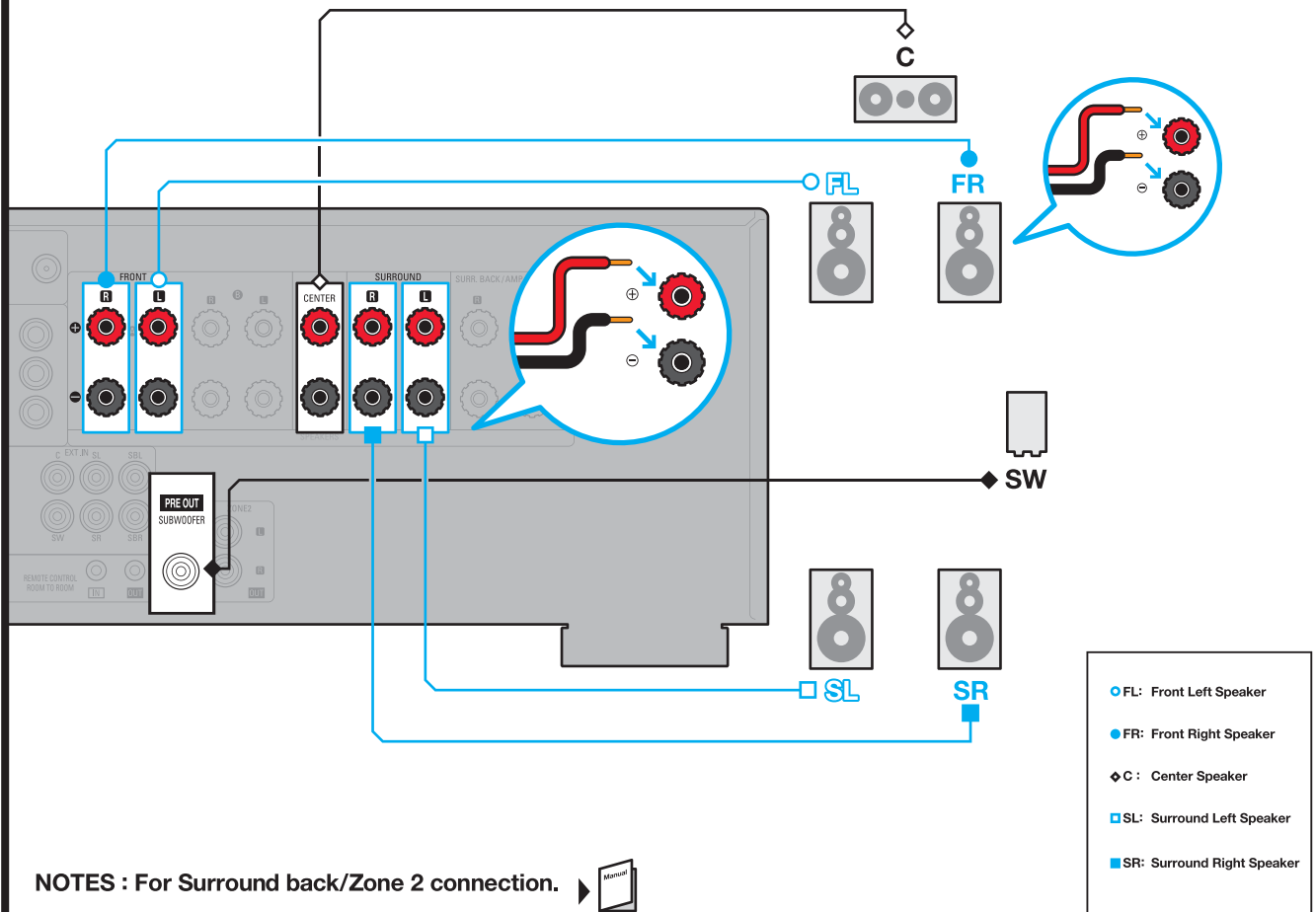
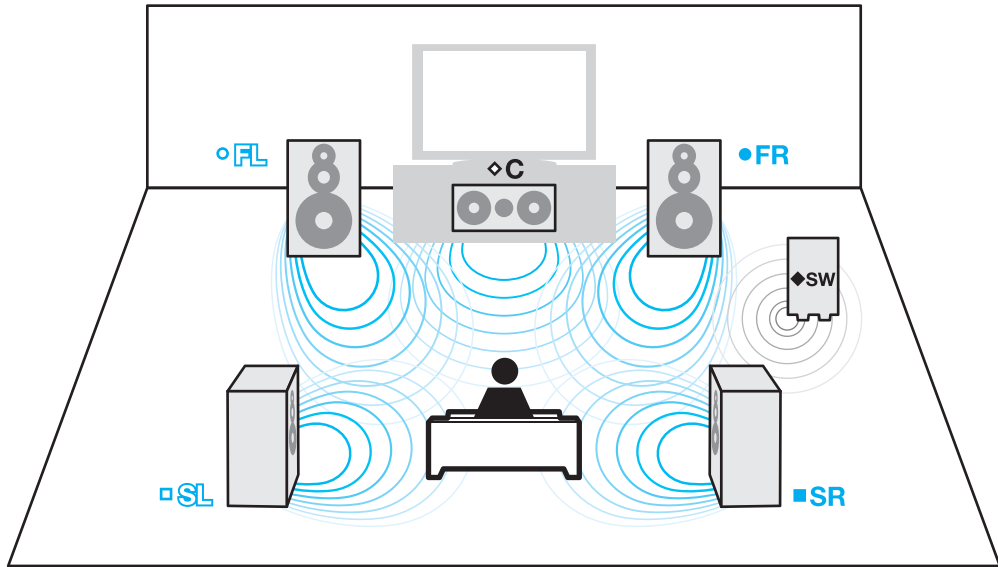
# 2



# 3



# 4



Need more information? 